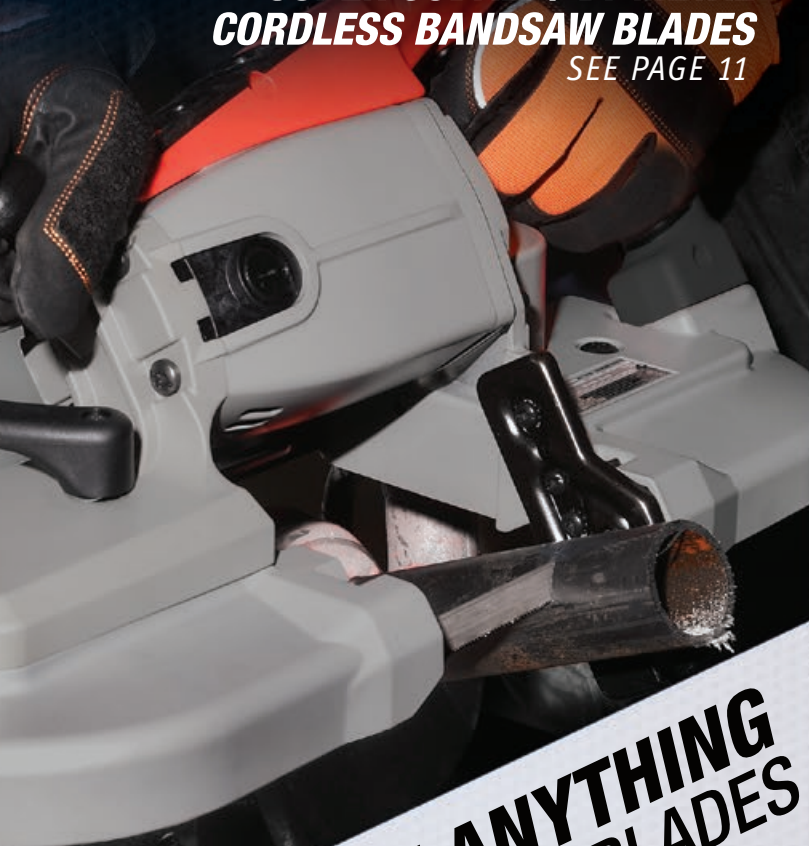


INNOVATION AT WORK



EASY-CUT[®]
SUPER COBALT / BI-METAL
CORDLESS BANDSAW BLADES
SEE PAGE 11



**CUT ALMOST ANYTHING
WITHOUT CHANGING BLADES**



FLEXTENSIONS
INCREASE PRODUCTIVITY
SEE PAGE 6





409 PIECE TOOLS@HEIGHT MASTER MAINTENANCE TOOL SET

Contains the following tools:

Product Category	Number of Pieces	Product Category	Number of Pieces
Adjustable & Miscellaneous Wrenches	17	Miscellaneous Tools	15
Combination, Box, & Open End Wrenches	71	Pliers	15
Hammers	12	Pry Bars, Punches & Chisels	24
Hand Sockets, Ratchets, & Accessories	155	Screwdrivers & Nut drivers	17
Hex Keys & Sockets	24	Tool Storage	2
Impact Sockets & Accessories	35	Tools@Height Tethers, Lanyards, & Specialties	22

Set Configurations Available

Product Code	Description	List Price:	Sale Price:
WSC-409-THTB	Complete Tools@Height Master Maintenance Tool Set With Tool Boxes (409 Pieces Total)	\$31,620.80	\$14,455.70
WSC-409-TH	Complete Tools@Height Master Maintenance Tool Set Only (407 Pieces Total)	\$26,564.55	\$12,144.30

Tool Boxes Included

Product Code	Description
W40TC4	40" Wide x 20" Deep 4 Drawer Top Chest
W40RC7	40" Wide x 20" Deep 7 Drawer Tool Cabinet



225 PIECE TOOLS@HEIGHT INTERMEDIATE MAINTENANCE SERVICE SET

Contains the following tools:

Product Category	Number of Pieces	Product Category	Number of Pieces
Adjustable & Miscellaneous Wrenches	4	Miscellaneous Tools	14
Combination, Box, & Open End Wrenches	45	Pliers	10
Hammers	7	Pry Bars, Punches & Chisels	13
Hand Sockets, Ratchets, & Accessories	90	Screwdrivers & Nut drivers	8
Hex Keys & Sockets	9	Tool Storage	2
Impact Sockets & Accessories	1	Tools@Height Tethers, Lanyards, & Specialties	22

Set Configurations Available

Product Code	Description	List Price:	Sale Price:
WSC-225-THTB	Complete Tools@Height Intermediate Tool Set With Tool Boxes (225 Pieces Total)	\$19,109.40	\$8,736.45
WSC-225-TH	Complete Tools@Height Intermediate Tool Set Only (223 Pieces Total)	\$15,628.25	\$7,145.00

Tool Boxes Included

Product Code	Description
W26TC4	26" Wide x 20" Deep 4 Drawer Top Chest
W26RC7	26" Wide x 20" Deep 7 Drawer Tool Cabinet



WSC-225-TH



W26RC7

116 PIECE TOOLS@HEIGHT GENERAL MAINTENANCE SERVICE SET

Contains the following tools:

Product Category	Number of Pieces
Adjustable & Miscellaneous Wrenches	2
Combination, Box, & Open End Wrenches	22
Hammers	4
Hand Sockets, Ratchets, & Accessories	37
Hex Keys & Sockets	1
Miscellaneous Tools	6
Pliers	8
Pry Bars, Punches & Chisels	7
Screwdrivers & Nut drivers	6
Tool Storage	1
Tools@Height Tethers, Lanyards, & Specialties	22



Set Configurations Available

Product Code	Description	List Price:	Sale Price:
WSC-116-THTB	Complete Tools@Height General Service Tool Set With Tool Box (116 Pieces Total)	\$9,361.95	\$4,280.00
WSC-116-TH	Complete Tools@Height General Service Tool Set Only (115 Pieces Total)	\$8,795.30	\$4,020.70

Tool Boxes Included

Product Code	Description
50950	32" Wide x 19" Deep Job Site Box



72 PIECE TOOLS@HEIGHT BASIC MAINTENANCE SERVICE SET

Contains the following tools:

Product Category	Number of Pieces	Product Category	Number of Pieces
Adjustable & Miscellaneous Wrenches	1	Miscellaneous Tools	5
Combination, Box, & Open End Wrenches	13	Pliers	5
Hammers	2	Pry Bars, Punches & Chisels	3
Hand Sockets, Ratchets, & Accessories	18	Screwdrivers & Nut drivers	3
Hex Keys & Sockets	1	Tools@Height Tethers, Lanyards, & Specialties	21

Set Configurations Available

Product Code	Description	List Price:	Sale Price:
WSC-72-TH	Complete Tools@Height Basic Maintenance Tool Set in Safe Bucket	\$6,083.90	\$2,781.45



45 PIECE TOOLS@HEIGHT STARTER SET PLUS

Includes:

- Screwdrivers
- Wrenches
- Pliers
- Sockets & Drive Tools
- Tape Measure
- Tethers
- Lanyards
- Small Parts Pouch

Product Code	Description	List Price:	Sale Price:
WSC-45-TH	Tools@Height Starter Plus Set	\$3,041.40	\$1,390.70



27 PIECE TOOLS@HEIGHT STARTER SET

Includes:

- Screwdrivers
- Adjustable Wrenches
- Pliers
- Hammer
- File
- Tape Measure
- Tethers
- Lanyards
- Small Parts Pouch

Product Code	Description	List Price:	Sale Price:
WSC-27-TH	Tools@Height Starter Set	\$2,300.50	\$1,052.15





80 PIECE GENERAL SERVICE SET

Contains the following tools:

Product Category	Number of Pieces
Chisel and Punches	8
Feeler Gauge Set	1
Hammer	1
Hand Sockets	24
Pliers	6
Ratchets, Drive Tools, and Accessories	16
Screwdrivers	6
Service Cart	1
Wrenches	17

Note: Complete set contents are listed in appendix A
Set Configurations Available

Product Code	Description	List Price:	Sale Price:
WSC-80TB	80 Piece General Service Set with cart 50721	\$2,539.80	\$1,088.50
WSC-80	Tool Set Only (79 Pieces)	\$1,875.30	\$803.70



50721



WSC-80



95 PIECE BASIC ELECTRICAL REPAIR SET

Product Code	Description	List Price:	Sale Price:
WSC-95TB	95 Piece Basic Electrical Repair with cart 50721	\$2,368.65	\$1,015.15
WSC-95	95 Piece Basic Electrical Repair Set - Tools Only	\$1,704.15	\$730.35

Contains the following tools:

Product Category	Number of Pieces
Hammers	1
Hand Sockets	22
Pliers	5
Pliers - Electrical	4
Pliers - Insulated	4
Ratchets, Drive Tools, and Accessories	7
Screwdrivers	13
Screwdrivers - Insulated	10
Service Cart	1
Wrenches	28



50721



WSC-95



130 PIECE MAINTENANCE TOOL SET

Contains the following tools:

Product Category	Number of Pieces
Chisels & Punches	1
Hammers	2
Hex Key Set	13
Pliers	10
Ratchet, Drive Tools & Accessories	21
Screwdrivers & Bits	21
Sockets	40
Wrenches	20

Note: Complete set contents are listed in appendix A
Set Configurations Available

Product Code	Description	List Price:	Sale Price:
WSC-130TB	130 Piece Maintenance Tool Set with cart 50721	\$2,327.30	\$997.40
WSC-130	Tool Set Only (129 Pieces)	\$1,232.45	\$528.20



50721



WSC-130

WILLIAMS® HEAVY DUTY SERVICE CART

Heavy Duty Industrial Cart

Product Code	Description	List Price:	Sale Price:
50726	4 Drawer Heavy Duty Industrial Cart	\$1,512.45	\$648.20

Service Cart Overall Dimensions

Product Code	Width (Inches)	Depth (Inches)	Height (Inches)
50726	30	20 1/2	40 1/2

Drawer Sizes

Number	Width (inches)	Depth (inches)	Height (inches)
2	11	19 1/8	3
1	25	16 1/4	3
1	25	16 1/4	6 5/8

Features

- Heavy duty steel construction
- High gloss power coat scratch resistant paint
- Quality swivel casters on all units
- Drawer units have 45 mm "secure latch" ball bearing slides



50726

WILLIAMS® SERVICE CARTS

Easy and convenient access to tools when and where you need them.

Product Code	Description	List Price:	Sale Price:
50722	2 Shelves, Red	\$326.65	\$140.00
50723	2 Shelves with Locking Drawer, Red	\$475.65	\$203.85
50724	4 Drawers with Lid, Rack and Shelf, Red	\$997.15	\$427.35

Service Cart Overall Dimensions

Product Code	Width (inches)	Depth (inches)	Height (inches)
50722	30	17	36 7/32
50723	30	17	36 7/32
50724	41	17	36 7/32

Features

- High gloss powder coat paint is scratch & chemical resistant
- Storage drawers for frequently used tools
- Heavy duty undercarriage to help support bottom tray load
- 18 gauge heavy duty steel
- 4" x 1" swivel casters



50723



50722



50724

See complete product listing at snapon.com/industrialbrands

SOCKET FLEXTENSIONS



Williams® Flexextensions are used extensively in engine and heavy equipment manufacturing, assembly, and repair. They increase productivity by featuring an integrated (non-removable) design of the drive extension and socket to allow for reliable, continuous work without concern for the socket disconnecting from the extension as could happen with hand-tool type ball-retained sockets.

Available in a wide variety of SAE and Metric socket sizes and extension lengths, in both 1/2" and 3/8" square drives. Most all are available in "Tension" and "Non-Tension" models: Tension models have a spring-loaded collar which rides against the socket to speed alignment during placement on the fastener; Non-Tension sockets wobble freely on the extension ball joint.

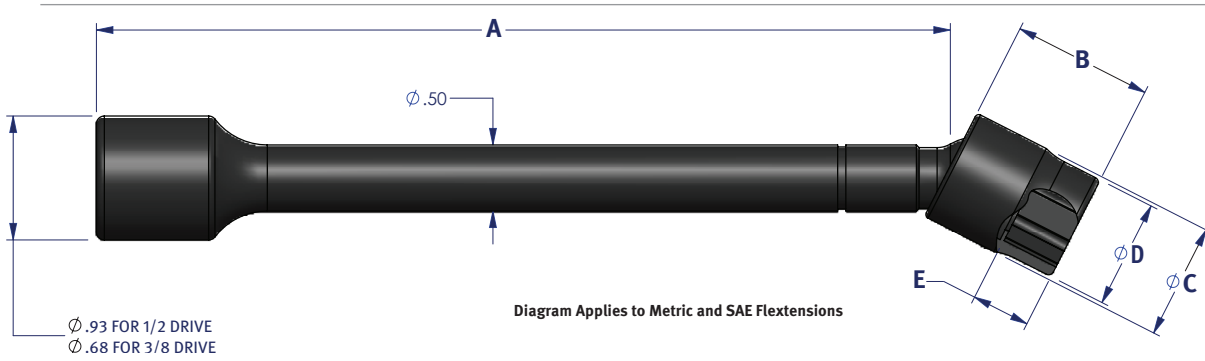
Additional features:

- Made in the U.S.A.
- Durable black oxide finish
- Socket retention pin is TIG welded, providing full rotation power to the socket
- Sockets feature SUPERTORQUE® lobular openings for greater turning power without deforming the fastener
- Drive end has a 7/32" cross hole & bevel for ease of use
- Up to 30 degree angle offset
- Flexextensions are designed for use on hand and power tools (Impulse or Direct drive); NOT FOR IMPACT TOOL USE
- Maximum working torque values:
160 Ft. Lbs. /1920 In. Lbs. /217 Nm

Other lengths and socket sizes available by special order. Contact your Snap-on Industrial Brands representative.



SOCKET FLEXTENSIONS



METRIC

10 mm Socket

6 pt. Drive Range: 1/2 – 3/8 in.
12 pt. Drive Range: 1/2 in.
Shank Length (A): 4.09 – 9.57 in. (103.9 – 243.1 mm)
Socket Length (B): 1.06 – 1.30 in. (26.9 – 33.0 mm)
Socket Diameter (C): 0.90 in. (22.7 mm)
Socket Nose Diameter (D): 0.59 – 0.63 in. (15.0-16.0 mm)
Socket Hex Depth (E): 0.28 – 0.31 in. (7.1 – 7.9 mm)



12 mm Socket

6 pt. Drive Range: 1/2 – 3/8 in.
Shank Length (A): 4.09 – 9.57 in. (103.9 – 243.1 mm)
Socket Length (B): 1.06 – 1.30 in. (26.9 – 33.0 mm)
Socket Diameter (C): 0.90 in. (22.7 mm)
Socket Nose Diameter (D): 0.59 – 0.63 in. (15.0-16.0 mm)
Socket Hex Depth (E): 0.34 in. (8.6 mm)



13 mm Socket

6 pt. Drive Range: 1/2 – 3/8 in.
Shank Length (A): 4.09 – 10.57 in. (103.9 – 268.5 mm)
Socket Length (B): 1.06 in. (26.9 mm)
Socket Diameter (C): 0.90 in. (22.7 mm)
Socket Nose Diameter (D): 0.76 in. (19.3 mm)
Socket Hex Depth (E): 0.34 in. (8.6 mm)



15 mm Socket

6 pt. Drive Range: 1/2 – 3/8 in.
Shank Length (A): 4.09 – 9.57 in. (103.9 – 243.1 mm)
Socket Length (B): 1.06 in. (26.9 mm)
Socket Diameter (C): 0.90 in. (22.7 mm)
Socket Nose Diameter (D): 0.88 in. (22.4 mm)
Socket Hex Depth (E): 0.42 in. (10.7 mm)



16 mm Socket

6 pt. Drive Range: 1/2 – 3/8 in.
12 pt. Drive Range: 1/2 in.
Shank Length (A): 4.09 – 9.57 in. (103.9 – 243.1 mm)
Socket Length (B): 1.06 in. (26.9 mm)
Socket Diameter (C): 0.90 in. (22.7 mm)
Socket Nose Diameter (D): 0.88 in. (22.4 mm)
Socket Hex Depth (E): 0.42 in. (10.7 mm)



18 mm Socket

6 pt. Drive Range: 1/2 – 3/8 in.
12 pt. Drive Range: 1/2 in.
Shank Length (A): 4.09 – 10.57 in. (103.9 – 268.5 mm)
Socket Length (B): 0.88 – 1.06 in. (22.4 – 26.9 mm)
Socket Diameter (C): 1.00 in. (25.4 mm)
Socket Nose Diameter (D): 1.00 in. (25.4 mm)
Socket Hex Depth (E): 0.30 – 0.45 in. (7.6 – 11.4 mm)



SAE

3/8 in. Socket

6 pt. Drive Range: 1/2 – 3/8 in.
12 pt. Drive Range: 1/2 – 3/8 in.
Shank Length (A): 3.02 – 12.57 in. (76.7 – 319.3 mm)
Socket Length (B): 0.81 – 1.06 in. (20.6 – 26.9 mm)
Socket Diameter (C): 0.75 – 0.90 in. (19.1 – 22.7 mm)
Socket Nose Diameter (D): 0.60 – 0.63 in. (15.2-16.0 mm)
Socket Hex Depth (E): 0.28 – 0.41 in. (7.1 – 10.4 mm)



7/16 in. Socket

6 pt. Drive Range: 1/2 – 3/8 in.
Shank Length (A): 3.02 – 9.57 in. (76.7 – 243.1 mm)
Socket Length (B): 1.06 in. (26.9 mm)
Socket Diameter (C): 0.90 in. (22.7 mm)
Socket Nose Diameter (D): 0.76 in. (19.3 mm)
Socket Hex Depth (E): 0.3 in. (7.6 mm)



1/2 in. Socket

6 pt. Drive Range: 1/2 – 3/8 in.
Shank Length (A): 3.02 – 12.57 in. (76.7 – 319.3 mm)
Socket Length (B): 1.06 in. (26.9 mm)
Socket Diameter (C): 0.90 in. (22.7 mm)
Socket Nose Diameter (D): 0.76 in. (19.3 mm)
Socket Hex Depth (E): 0.3 in. (7.6 mm)



9/16 in. Socket

6 pt. Drive Range: 1/2 – 3/8 in.
Shank Length (A): 4.09 – 12.57 in. (103.9 – 319.3 mm)
Socket Length (B): 0.78 – 1.06 in. (19.8 – 26.9 mm)
Socket Diameter (C): 0.90 in. (22.7 mm)
Socket Nose Diameter (D): 0.76 – 0.82 in. (19.4 – 20.8 mm)
Socket Hex Depth (E): 0.16 – 0.44 in. (4.1 – 11.2 mm)



5/8 in. Socket

6 pt. Drive Range: 1/2 – 3/8 in.
Shank Length (A): 3.02 – 9.57 in. (76.7 – 243.1 mm)
Socket Length (B): 0.97 – 1.06 in. (24.7 – 26.9 mm)
Socket Diameter (C): 0.90 in. (22.7 mm)
Socket Nose Diameter (D): 0.90 in. (22.7 mm)
Socket Hex Depth (E): 0.35 – 0.44 in. (8.9 – 11.2 mm)



3/4 in. Socket

6 pt. Drive Range: 1/2 – 3/8 in.
12 pt. Drive Range: 1/2
Shank Length (A): 3.02 – 9.57 in. (76.7 – 243.1 mm)
Socket Length (B): 0.85 – 1.25 in. (21.6 – 31.8 mm)
Socket Diameter (C): 1.00 in. (25.4 mm)
Socket Nose Diameter (D): 1.00 – 1.12 in. (25.4 – 28.4 mm)
Socket Hex Depth (E): 0.31 – 0.56 in. (7.9 – 14.2 mm)



15/16 in. Socket

6 pt. Drive Range: 1/2 – 3/8 in.
Shank Length (A): 4.09 – 12.57 in. (103.9 – 243.1 mm)
Socket Length (B): 1.31 in. (33.3 mm)
Socket Diameter (C): 1.00 in. (25.4 mm)
Socket Nose Diameter (D): 1.30 in. (33.0 mm)
Socket Hex Depth (E): 0.62 in. (15.7 mm)



See complete product listing at snapon.com/industrialbrands



COMFORT GRIP MICROMETER ADJUSTABLE TORQUE WRENCHES - DUAL SCALE

Features

- Dual scale, calibrated dual direction
- Positive lock with spring loaded pull down lock ring
- Fast, accurate and easy to set
- Easy-to-read laser marked scale
- Most feature quick release buttons which provide good socket retention as well as easy socket removal
- Ergonomic comfort-grip
- Accuracy: $\pm 3\%$ CW $\pm 5\%$ CCW of indicated value, CW, from 20% to 100% of full scale
- Meets or exceeds ASME standards, ISO 6789 standards
- Individually serialized with matching certificate of calibration traceable to N.I.S.T.

Product Code	Drive Size	English Range	Incr.	Nm Range	Incr.	List Price:	Sale Price:
1501MRPH	1/4"	20-150 in. lb.	1	2.8 - 15.3 Nm	.12	\$267.25	\$114.55
2502MRPH	3/8"	30-250 in. lb.	1	4.0 - 27.7 Nm	.12	\$275.90	\$118.25
10002MRPH	3/8"	150-1000 in. lb.	5	19.8 - 110.2 Nm	.6	\$290.40	\$124.45
1002MFRPH	3/8"	10-100 ft. lb.	1	16.9 - 132.2 Nm	.7	\$290.40	\$124.45
1503MFRPH	1/2"	20-150 ft. lb.	1	34 - 197 Nm	1.4	\$333.90	\$143.10
2503MFRPH	1/2"	30-250 ft. lb.	1	47 - 332 Nm	1.4	\$361.60	\$154.95
6004MFRPH	3/4"	100-600 ft. lb.	5	169 - 779 Nm	6.8	\$1,164.10	\$498.90



COMPUTORQ SG-STEEL GRIP ELECTRONIC TORQUE WRENCH

CONVENIENCE & CONTROL

COMPUTORQ SG TORQUE WRENCHES are fully programmable for reliable, consistent, and repeatable torque application. Every model features a large, backlit LCD screen for better visibility in a variety of working conditions and a high capacity memory for storage of 1,500 readings.

Product Code	2401CASG	1002CASG	2503CASG	6004CASG
Square Drive	1/4"	3/8"	1/2"	3/4"
Head Type	Sealed Flex Head	Sealed Flex Head	Sealed Flex Head	Sealed Fixed Head
Torque Range, in lb	12-240	60-1200	150-3000	360-7200
Torque Range, ft lb	1-20	5-100	12.5-250	30-600
Torque Range, Nm	1.4-27.2	6.8-135.6	16.9-339	40.7-813.5
Torque Accuracy	+/- 2% Clockwise; +/- 3% Counterclock-wise	+/- 2% Clockwise; +/- 3% Counterclock-wise	+/- 2% Clockwise; +/- 3% Counterclock-wise	+/- 2% Clockwise; +/- 3% Counterclock-wise
Angle Range	0-360 Degrees	0-360 degrees	0-360 degrees	0-360 Degrees
Storage Capacity	1,500 Readings	1,500 Readings	1,500 Readings	1,500 Readings
Number of Presets	50	50	50	50
All Steel Body	Yes	Yes	Yes	Yes
Batteries Included	3 x AAA Lithium	3 x AA Lithium	3 x AA Lithium	3 x AA Lithium
Storage Case Included	Yes	Yes	Yes	Yes
Ratchet Service Kit	0514-0029-01RK	0514-0030-01RK	0514-0031-01RK	9610-0112RK
Head Depth (A)	3/4" (19.3 mm)	1-1/32" (26.19 mm)	1-3/10" (33.02 mm)	2-4/5" (71.12 mm)
Head Width (B)	15/16" (23.8 mm)	1-7/10" (43.18 mm)	1-1/2" (63.5 mm)	2-3/5" (66.04 mm)
Warranty	1-Year	1-Year	1-Year	1-Year
List Price:	\$1,230.50	\$1,471.25	\$1,658.50	\$3,424.00
Sale Price:	\$527.35	\$630.55	\$710.80	\$1,467.45



All models comply with ISO®-6789-2003 and ASME® B107.300-2010 (B107.28) Standards for Electronic Torque Instruments
*U.S. and Foreign Patents Pending



MICROMETER ADJUSTABLE NEWTON METER TORQUE WRENCHES - SINGLE SCALE

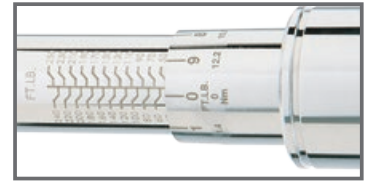
Metal Handle Single Scale. The metal handle series offers the user a rugged, industrial strength torque wrench able to withstand the rigors of professional use. Handles are lightly knurled for a tough, non-slip grip.

Features

- Single scale, calibrated dual direction
- Positive lock with spring loaded pull down lock ring
- Fast, accurate and easy to set
- Easy-to-read laser marked scales
- Most feature quick release buttons which provide good socket retention as well as easy socket removal
- Accuracy: $\pm 3\%$ CW $\pm 4\%$ CCW of indicated value, CW, from 20% to 100% of full scale
- Individually serialized with matching certificate of calibration traceable to N.I.S.T.

Product Code	Nm Range	Sq. Drive	Incr.	List Price:	Sale Price:
602NMRMHSS	10-60 Nm	3/8"	0.5	\$290.40	\$124.45
1002NMRMHSS	20-100 Nm	3/8"	0.5	\$290.40	\$124.45
2003NMRMHSS	40-200 Nm	1/2"	2	\$333.90	\$143.10
3403NMRMHSS	60-340 Nm	1/2"	2	\$361.60	\$154.95
8004NMRMHSS	150-800 Nm	3/4"	5	\$1,164.10	\$498.90
15005NMRMHSS*	300-1500 Nm	1"	10	\$2,604.10	\$1,150.35

*NOTE: 15005NMRMHSS supplied with one extension handle and is packed in a metal box.
NOTE: All single scale Newton Meter only.



MICROMETER ADJUSTABLE TORQUE WRENCHES - DUAL SCALE

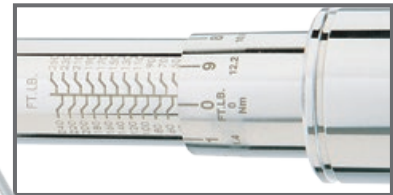
Metal Handle Dual Scale. The metal handle series offers the user a rugged, industrial strength torque wrench able to withstand the rigors of professional use. Handles are lightly knurled for a tough, non-slip grip.

- Dual scale, calibrated dual direction
- Positive lock with spring loaded pull down lock ring
- Fast, accurate and easy to set
- Easy-to-read laser marked scales
- Most feature quick release buttons which provide good socket retention as well as easy socket removal
- Accuracy: $\pm 3\%$ CW $\pm 4\%$ CCW of indicated value, CW, from 20% to 100% of full scale
- Individually serialized with matching certificate of calibration traceable to N.I.S.T.

Product Code	Drive Size	English Range	Incr.	Nm Range	Incr.	List Price:	Sale Price:
501MRMH	1/4"	10-50 in. lb.	0.5	1.4 - 5.4 Nm	0.5	\$267.25	\$114.55
1501MRMH	1/4"	20-150 in. lb.	0.5	2.8-15.3 Nm	0.12	\$266.85	\$114.35
1502MRMH	3/8"	20-150 in. lb.	1	2.8 - 15.3 Nm	.12	\$267.25	\$114.55
2002MRMH	3/8"	30-200 in. lb.	1	4.0 - 22.0 Nm	.12	\$267.25	\$114.55
2502MRMH	3/8"	30-250 in. lb.	1	4.0 - 27.7 Nm	.12	\$275.90	\$118.25
7502MRMH	3/8"	100-750 in. lb.	5	14.1 - 81.9 Nm	.6	\$290.40	\$124.45
10002MRMH	3/8"	150-1000 in. lb.	5	19.8 - 110.2 Nm	.6	\$290.40	\$124.45
25003MRMH	1/2"	300-2500 in. lb.	10	39.6 - 276.9 Nm	1.2	\$351.45	\$150.65
752MFRMH	3/8"	5-75 ft. lb.	0.5	10.2 - 98.3 Nm	.7	\$290.40	\$124.45
1002MFRMH	3/8"	10-100 ft. lb.	0.5	16.9 - 132.2 Nm	.7	\$290.40	\$124.45
1503MFRMH	1/2"	20-150 ft. lb.	1	34 - 197 Nm	1.4	\$333.90	\$143.10
2503MFRMH	1/2"	30-250 ft. lb.	1	47 - 332 Nm	1.4	\$361.60	\$154.95
4004MFRMH	3/4"	80-400 ft. lb.	5	85 - 491 Nm	3.4	\$1,110.30	\$475.85
6004MFRMH	3/4"	100-600 ft. lb.	5	169 - 779 Nm	6.8	\$1,164.10	\$498.90
10005MFRMH*	1"	200-1000 ft. lb.	5	305 - 1322 Nm	6.8	\$2,604.10	\$1,150.35
20005MFMHSS**	1"	300-2000 ft. lb.	10	N/A	N/A	\$5,619.25	\$2,408.25

*NOTE: 10005MFRMH supplied with one extension handle and is packed in a metal box.

**NOTE: 20005MFMHSS (English scale only) supplied with two extension handles, fixed/non-ratcheting head and is packed in a sturdy cardboard box.



See complete product listing at snaon.com/industrialbrands



WILLIAMS PIPE WRENCHES

Aluminum, Heavy Duty

Product Code	Overall Capacity (Inches)	Maximum Jaw Opening (Inches)	Spare Parts			List Price	Sale Price
			Hook Jaw	Heel Jaw & Pin	Knurl Nut		
13500	8	1 5/16	13551	13567	13571	\$29.25	\$12.55
13502	10	1 5/8	13552	13562	13572	\$40.75	\$17.45
13504	12	2 1/8	13553	13563	13573	\$53.45	\$22.90
13506	14	2 3/16	13554	13564	13574	\$56.10	\$24.05
13508	18	3 1/8	13555	13565	13575	\$78.85	\$33.80
13510	24	3 3/4	13556	13566	13576	\$128.15	\$54.95
13512	36	5	13557	13568	13577	\$346.45	\$148.50
13514	48	6	13558	13569	13578	\$672.90	\$288.40

Pipe Wrench Set

Product Code	Contents Include:	List Price	Sale Price
13542	3 Piece Aluminum Pipe Wrench Set. Includes 8", 12", and 18" wrenches	\$145.40	\$62.30

Features

- Aluminum pipe wrenches are approximately 40% lighter than cast iron.
- Heavy duty construction for strength and durability.
- Scale on wrench indicates pipe diameter.

WILLIAMS PIPE WRENCHES

Cast Iron, Heavy-Duty

Product Code	Overall Capacity (Inches)	Maximum Jaw Opening (Inches)	Spare Parts			List Price	Sale Price
			Hook Jaw	Heel Jaw & Pin	Knurl Nut		
13516	6	7/8	13550	13560	13570	\$14.05	\$6.05
13518	8	1 5/16	13511	13567	13571	\$18.15	\$7.80
13520	10	1 5/8	13552	13562	13572	\$31.60	\$13.55
13522	12	2 1/8	13553	13563	13573	\$35.70	\$15.30
13524	14	2 3/16	13554	13564	13574	\$40.70	\$17.45
13526	18	3 1/8	13555	13565	13575	\$52.05	\$22.30
13528	24	3 3/4	13556	13566	13576	\$82.40	\$35.30
13530	36	5	13557	13568	13577	\$250.45	\$107.35
13532	48	6	13558	13569	13578	\$354.15	\$151.80

Pipe Wrench Set

Product Code	Contents Include:	List Price	Sale Price
13544	3 Piece Cast Iron Pipe Wrench Set. Includes 8", 12", and 18" wrenches	\$95.30	\$40.85

Features

- Heavy duty construction for strength and durability
- Scale on wrench indicates pipe diameter



ADJUSTABLE WRENCH WITH VALVE PERSUADER

Product Code	Length (Inches)	Maximum Jaw Opening (Inches)	Valve Wheel Wrench Opening	List Price	Sale Price
33HRUS	10	1 3/4	3/4	\$114.90	\$49.25

Features

- Two tools combined into one convenient operator's tool that can be used wherever valves are adjusted for flow and pressure
- 10" overall length supplies leverage while being compact enough to be easily carried.
- Big-mouth adjustable wrench has large, 1 3/4" capacity.
- 3/4" valve wheel wrench opening, black finish.
- Precision hardened and anti-corrosion treated.
- Easy to read size measurement scale: fractional on one side, metric on the other
- ISO 6787
- Rounded hook-end doesn't leave marks or scratches on the valve.
- Head combines slimness for accessibility with strength for performance.



WILLIAMS® DROP FORGED C-CLAMPS



CC-406C



CC-406S



20008



20042

Deep Throat Design, Copper Plated Screw

Product Code	Capacity (Inches)	Throat Depth (Inches)	Screw Diameter (Inches)	Min Test Load (lbs)	List Price:	Sale Price:
CC-402C	2	2 1/32	1/2	3500	\$45.80	\$19.65
CC-403C	3	2 3/4	1/2	3500	\$51.70	\$22.15
CC-404C	4	3 3/16	3/4	6500	\$58.50	\$25.05
CC-406C	6	4 1/8	3/4	6900	\$80.70	\$34.60
CC-408C	8	5 3/16	3/4	6900	\$106.55	\$45.65
CC-410C	10	6	3/4	8000	\$135.20	\$57.95
CC-412C	12	6 1/2	7/8	9500	\$205.90	\$88.25

Deep Throat Design, Copper Plated Screw

Product Code	Capacity (Inches)	Throat Depth (Inches)	Screw Diameter (Inches)	Working Load (lbs)	Max. Hand Load (lbs)	Frame Proof Load (lbs)	List Price:	Sale Price:
20002	2	2-1/4	9/16	2000	2600	3500	\$34.45	\$14.75
20003	3	2-7/16	9/16	2400	2880	3500	\$38.85	\$16.65
20004	4	3-1/4	11/16	2800	4480	6500	\$43.90	\$18.80
20006	6	4-1/16	3/4	3400	4700	6900	\$60.60	\$25.95
20008	8	5	3/4	4000	4930	6900	\$80.10	\$34.35
20010	10	6	7/8	5000	5500	8000	\$101.50	\$43.50
20012	12	6-1/2	7/8	6000	7000	9500	\$154.70	\$66.30

Deep Throat Design, Standard Screw

Product Code	Capacity (Inches)	Throat Depth (Inches)	Screw Diameter (Inches)	Min Test Load (lbs)	List Price:	Sale Price:
CC-402S	2	2 1/32	1/2	3500	\$41.90	\$17.95
CC-403S	3	2 3/4	1/2	3500	\$47.25	\$20.25
CC-404S	4	3 3/16	3/4	6500	\$53.40	\$22.90
CC-406S	6	4 1/8	3/4	6900	\$73.80	\$31.65
CC-408S	8	5 3/16	3/4	6900	\$97.40	\$41.75
CC-410S	10	6	3/4	8000	\$123.50	\$52.95
CC-412S	12	6 1/2	7/8	9500	\$188.15	\$80.65

C-Clamp Set

Product Code	Contents Include:	List Price:	Sale Price:
20042	4 Piece C-Clamp Set. Includes sizes 2", 4", 6", and 8"	\$197.25	\$84.55



QUICK CLAMPS



QCS-150

Quick Clamps Superior - Power Lever System

Product Code	Capacity (Inches)	Clamping Force	List Price:	Sale Price:
QCS-150	6	650 lbs	\$122.55	\$52.55
QCS-300	12	650 lbs	\$129.75	\$55.60



QCB-300

Quick Clamps QCB Series - Power Lever System

Product Code	Capacity (Inches)	Clamping Force	List Price:	Sale Price:
QCB-150	6	450 lbs	\$70.60	\$30.25
QCB-300	12	450 lbs	\$75.65	\$32.45
QCB-450	16	450 lbs	\$80.85	\$34.65
QCB-600	23	450 lbs	\$86.90	\$37.25
QCB-900	35	450 lbs	\$95.00	\$40.70
QCB-1250	49	450 lbs	\$113.85	\$48.80



EASY-CUT BIMETAL PORTABLE BANDSAW BLADES FOR HAND HELD MACHINES

Product Code	Dimensions	Length	Tooth Type	Quantity	List Price	Sale Price
PBEZ835-1P	1/2 x .020 in. (13 x .050 mm)	32 7/8 in. (835 mm)	EZ	1	\$12.75	\$5.45
3				\$11.65	\$5.00	
100				\$10.60	\$4.55	
PBEZ1140-1P	1/2 x .020 in. (13 x .050 mm)	44 7/8 in. (1140 mm)	EZ	1	\$12.75	\$5.45
3				\$11.65	\$5.00	
100				\$10.60	\$4.55	

Features

- Patented tooth design provides a very versatile blade able to cut all common materials.
- Ideal for cutting different sizes in a wide range of materials.
- Other lengths available

See complete product listing at snapon.com/industrialbrands



9072 RC US



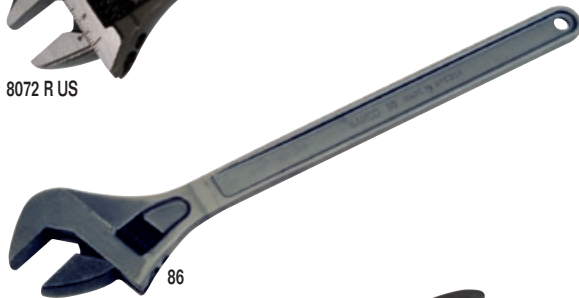
9072 R US



8072 RC US



8072 R US



86



31 R US



ERGO® ADJUSTABLE WRENCHES

Designed According to Bahco's Scientific 11-Step Ergonomic Design Program

Product Code	Length (Inches)	Maximum Jaw Opening (Inches)	Head Thickness (Inches)	Jaw Tip Thickness (Inches)	List Price:	Sale Price:
Chrome Finish:						
9070 RC US	6	3/4	7/16	3/16	\$44.75	\$19.20
9071 RC US	8	1 1/16	1/2	1/4	\$46.95	\$20.15
9072 RC US	10	1 3/16	5/8	3/16	\$57.90	\$24.80
9073 RC US	12	1 5/16	11/16	7/16	\$70.85	\$30.35
Black Phosphate Finish:						
9070 R US	6	3/4	7/16	3/16	\$38.05	\$16.30
9071 R US	8	1 1/16	1/2	1/4	\$39.90	\$17.10
9072 R US	10	1 3/16	5/8	3/16	\$49.15	\$21.05
9073 R US	12	1 5/16	11/16	7/16	\$62.35	\$26.75

Features

- True ergo® design, with thermoplastic handle and larger grip width.
- Ideal for plumbers, electricians, and maintenance workers.
- Slim head with tapered jaws combine easy accessibility with extra turning strength.
- Precision hardened and anti-corrosion treated.
- Measurement scale on head conveniently shows fastener size.



ADJUSTABLE WRENCHES

Industrial Grade Steel Handles

Product Code	Length (Inches)	Maximum Jaw Opening (Inches)	Head Thickness (Inches)	Jaw Tip Thickness (Inches)	List Price:	Sale Price:
Chrome Finish:						
8069 RC US	4	1/2	3/8	1/8	\$34.90	\$14.95
8070 RC US	6	3/4	7/16	3/16	\$36.55	\$15.65
8071 RC US	8	1 1/16	1/2	1/4	\$38.70	\$16.60
8072 RC US	10	1 1/8	5/8	3/16	\$47.40	\$20.30
8073 RC US	12	1 5/16	11/16	7/16	\$68.15	\$29.20
8074 RC US	15	1 11/16	13/16	9/16	\$121.00	\$51.85
8075 RC US	18	2 1/16	7/8	11/16	\$205.35	\$88.00
Black Phosphate Finish:						
8069 R US	4	1/2	3/8	1/8	\$29.70	\$12.75
8070 R US	6	3/4	7/16	3/16	\$31.10	\$13.35
8071 R US	8	1 1/16	1/2	1/4	\$32.95	\$14.15
8072 R US	10	1 1/8	5/8	3/16	\$40.30	\$17.25
8073 R US	12	1 5/16	11/16	7/16	\$59.90	\$25.65
8074 R US	15	1 11/16	13/16	9/16	\$86.45	\$37.90
8075 R US	18	2 1/16	7/8	11/16	\$123.35	\$52.85
86	24	2 7/16	1 1/16	1 1/16	\$343.15	\$147.05
87	30	3 5/16	1 3/16	1 3/16	\$839.10	\$359.60

Features

- Slim head with tapered jaws combine easy accessibility with extra turning strength.
- Measurement scale on head conveniently shows fastener size (except for 24" and 30" wrenches).
- Precision hardened and anti-corrosion treated.



ALLIGATOR ADJUSTABLE WRENCH

Industrial Grade Steel Handle, Black Phosphate Finish

Product Code	Length (Inches)	Maximum Jaw Opening (Inches)	Head Thickness (Inches)	Jaw Tip Thickness (Inches)	List Price:	Sale Price:
31 R US	8	1 1/4	1/2	3/16	\$57.45	\$24.65

Features

- V-jaw on wrench has aggressively angled teeth for sure grip on pipes and rounded fasteners.
- Measurement scale on head conveniently shows fastener size.
- Slim head with tapered jaws combine easy accessibility with extra turning strength.
- Precision hardened and anti-corrosion treated.



SUPERCOMBO® COMBINATION WRENCHES

WS-1170RSC 7 Piece Hi-Vis Red Combination Wrench Set, 12 Point, SAE, in Pouch

Product Code	Description	List Price:	Sale Price:
WS-1170RSC	7 Pc. Hi-Vis Red Combination Wrench Set, 12 pt. SAE, in Pouch	\$181.25	\$77.70

WS-1171RSC 11 Piece Hi-Vis Red Combination Wrench Set, 12 Point, SAE, in Pouch

Product Code	Description	List Price:	Sale Price:
WS-1171RSC	11 Pc. Hi-Vis Red Combination Wrench Set, 12 pt. SAE, in Pouch	\$361.85	\$155.10

WS-1172RSC 14 Piece Hi-Vis Red Combination Wrench Set, 12 Point, SAE, in Pouch

Product Code	Description	List Price:	Sale Price:
WS-1172RSC	14 Pc. Hi-Vis Red Combination Wrench Set, 12 pt. SAE, in Pouch	\$595.70	\$255.30



WS-1170RSC



WS-1171RSC



WS-1172RSC



SUPERCOMBO® COMBINATION WRENCHES

WS-1170YSC 7 Piece Hi-Vis Yellow Combination Wrench Set, 12 Point, SAE, in Pouch

Product Code	Description	List Price:	Sale Price:
WS-1170YSC	7 Pc. Hi-Vis Yellow Combination Wrench Set, 12 pt. SAE, in Pouch	\$181.25	\$77.70

WS-1171YSC 11 Piece Hi-Vis Yellow Combination Wrench Set, 12 Point, SAE, in Pouch

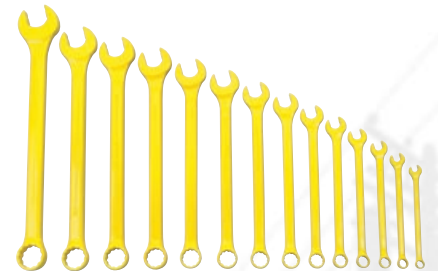
Product Code	Description	List Price:	Sale Price:
WS-1171YSC	11 Pc. Hi-Vis Yellow Combination Wrench Set, 12 pt. SAE, in Pouch	\$361.85	\$155.10

WS-1172YSC 14 Piece Hi-Vis Yellow Combination Wrench Set, 12 Point, SAE, in Pouch

Product Code	Description	List Price:	Sale Price:
WS-1172YSC	14 Pc. Hi-Vis Yellow Combination Wrench Set, 12 pt. SAE, in Pouch	\$595.70	\$255.30



WS-1170YSC



WS-1171YSC



WS-1172YSC

Features

- SUPERCOMBO® open end has specially designed grooves that direct wrench force away from fastener corners.
- SUPERTORQUE® box opening design allows application of higher torque without rounding or deforming hex fastener points. No contact is made at the corners. Instead, wrenching forces are placed on the flat surfaces behind the points.
- Meets or exceeds aerospace specification AS 954 for 12 point fasteners (as defined by AS 870) to provide accurate torque/tension relationship for precision application.
- May be used on all common hex (6 point) fasteners with considerable advantage over conventional box end wrenches to increase both hand tool flexibility and economy.
- Box and open end openings are identical.

See complete product listing at snapon.com/industrialbrands



IW500MP 1/2" IMPACT WRENCHES

USABILITY AND ERGONOMICS

Exterior:

Improved abrasive wear

Motor:

Weight reduction

Controls:

Ease of use



Air regulator is now a large dial at the back of the tool

Impact mechanism:

Improved durability

Forward/reverse mechanism:

Works side to side

Controls: Ease of use

Ergonomics:

Balance & comfort

Product Code	Drive Size inches (mm)	Max. Torque ft lb	Max. Torque Nm	Weight lbs. (kg)	Handle	Nose Material	Frame	Dogs	Trigger	Sound Level dB(A)	Socket Retainer Style	List Price:	Sale Price:
IW500MP-4P	1/2 (13)	780	1058	4.2 (1.9)	Composite	Forged 7075 Aluminum	Machined	Cold Forged Steel	Hard (Composite)	85	Pin	-\$426.95-	\$247.00
IW500MP-4R	1/2 (13)	780	1058	4.2 (1.9)	Composite	Forged 7075 Aluminum	Machined	Cold Forged Steel	Hard (Composite)	85	Ring	-\$426.95-	\$247.00

General: Air Inlet Size: 1/4" NPT • Recommended Hose Size: 3/8" (10 mm) • Performance rated @ 90 psig (6.2 bar) air pressure

Features

- Built in Murphy, NC
- Power - Range of power offerings to service customer needs
- Durability - Design focus: robust impact mechanism
- Power/Weight - Built upon power with a focus on weight reduction
- Ergonomics - Implement principles associated with grip biomechanics, anthropometry, and muscle physiology



SIGNATURE SERIES SCREWDRIVERS

DESIGNED TO MEET TODAY'S FAST PACED, HIGH OUTPUT ASSEMBLY AND MANUFACTURING APPLICATIONS



SSD10P20PRR



SSD10P20S



SSD6P20AC



SSD10S20S



SSD10A10S



SSD10S20AC

Positive Clutch Pistol Grip Screwdrivers

Product Code	Description	RPM	List Price:	Sale Price:
SSD6P12P		1,200	\$551.59	\$319.15
SSD6P20P	0.6 hp (0.45 kw) Medium Clutch Screwdrivers – 1/4" Quick Change	2,000	\$426.40	\$246.70
SSD6P25P		2,500	\$426.40	\$246.70
SSD10P12P	1 hp (0.75 kw) Medium Torque Clutch Screwdrivers – 1/4" Quick Change	1,200	\$563.78	\$326.20
SSD10P25P		2,500	\$438.59	\$253.75
SSD10P12PS	1 hp (0.75 kw) High Torque Clutch Screwdrivers – 1/4" Quick Change	1,200	\$563.78	\$326.20
SSD10P20PS		2,000	\$438.59	\$253.75
SSD10P25PS		2,500	\$438.59	\$253.75

Stall Pistol Grip Screwdrivers

Product Code	Description	RPM	List Price:	Sale Price:
SSD6P7S		700	\$488.99	\$282.95
SSD6P12S	0.6 hp (0.45 kw) Trigger Start – Shuttle Reverse	1,200	\$488.99	\$282.95
SSD6P20S		2,000	\$363.69	\$210.40
SSD6P25S		2,500	\$363.69	\$210.40
SSD10P3S	1 hp (0.75 kw) Trigger Start – Shuttle Reverse	300	\$501.19	\$290.00
SSD10P5S		500	\$501.19	\$290.00
SSD10P7S		700	\$501.19	\$290.00
SSD10P12S		1,200	\$501.19	\$290.00
SSD10P12S		1,200	\$501.19	\$290.00
SSD10P25S		2,500	\$375.89	\$217.50

Rapid Reverse Screwdrivers

Product Code	Description	RPM	List Price:	Sale Price:
SSD10P20PRR	1 hp (0.75 kw) – Medium Torque Positive Clutch Rapid Reverse Screwdriver	2,000	\$481.61	\$278.65
SSD10P20SRR	1 hp (0.75 kw) – Stall Rapid Reverse	2,000	\$425.00	\$245.90

Adjustable Clutch Pistol Grip Screwdrivers

Product Code	Description	RPM	List Price:	Sale Price:
SSD6P7AC		700	\$752.00	\$435.10
SSD6P12AC	0.6 hp (0.45 kw) Trigger Start – Shuttle Reverse	1,200	\$752.00	\$435.10
SSD6P20AC		2,000	\$645.53	\$373.50
SSD6P25AC		2,500	\$645.53	\$373.50
SSD10P3AC		300	\$764.09	\$442.10
SSD10P5AC	1 hp (0.75 kw) Trigger Start – Shuttle Reverse	500	\$764.09	\$442.10
SSD10P7AC		700	\$764.09	\$442.10
SSD10P12AC		1,200	\$764.09	\$442.10
SSD10P20AC		2,000	\$657.84	\$380.60

Adjustable Clutch Inline Screwdrivers

Product Code	RPM	List Price:	Sale Price:
SSD10S3AC	300	\$981.00	\$567.65
SSD10S5AC	500	\$981.00	\$567.65
SSD10S7AC	700	\$981.00	\$567.65
SSD10S12AC	1,200	\$855.57	\$495.00
SSD10S20AC	2,000	\$855.57	\$495.00
SSD10S25AC	2,500	\$855.57	\$495.00

Stall Inline Screwdrivers

Product Code	RPM	List Price:	Sale Price:
SSD10S3S	300	\$638.79	\$369.60
SSD10S5S	500	\$638.79	\$369.60
SSD10S7S	700	\$638.79	\$369.60
SSD10S12S	1,200	\$638.79	\$369.60
SSD10S20S	2,000	\$547.63	\$316.85
SSD10S25S	2,500	\$547.63	\$316.85

Right Angle Screwdrivers

Product Code	Description	RPM	List Price:	Sale Price:
SSD10A3S		300	\$941.17	\$544.55
SSD10A5S		500	\$941.17	\$544.55
SSD10A6S	Stall Drive	600	\$941.17	\$544.55
SSD10A10S		1,000	\$941.17	\$544.55
SSD10A16S		1,600	\$827.11	\$478.55
SSD10A20S		2,000	\$827.11	\$478.55

See complete product listing at snapon.com/industrialbrands



SOCKET AND DRIVE TOOL SETS



95 PIECE 1/4" & 3/8" DRIVE MASTER SOCKET & TOOL SET

50611 - 6 & 12 Point Rugged-Case System Tool Set, SAE

50611 List Price: \$547.65 **Sale Price: \$234.70**



138 PIECE 1/4", 3/8", 1/2" DRIVE SOCKET SET

50612 - 6 Point Rugged-Case-System Tool Set, SAE and Metric

50612 List Price: \$630.35 **Sale Price: \$270.15**



146 PIECE 1/4", 3/8", 1/2" DRIVE SOCKET SET

6 & 12 Point Rugged-Case- System Tool Set, SAE and Metric

50614 List Price: \$630.35 **Sale Price: \$270.15**



89 PIECE 1/4" & 3/8" DRIVE MASTER SOCKET AND TOOL SET

50622 - 6 Point Rugged-Case-System Tool Set, SAE and Metric

50622 List Price: \$503.45 **Sale Price: \$215.75**



32 PIECE 1/4" & 3/8" DRIVE BIT SOCKET SET

6 Point Compact Case Tool Set, SAE and MM

50681 List Price: \$117.50 **Sale Price: \$50.35**

Features

- All tools are professional quality, made of high-grade chrome vanadium steel.
- Sockets feature SUPERTORQUE® lobular openings for greater turning power without deforming the fastener.
- Packed in rugged high-density polyethylene (HDPE) cases that are strong and durable yet light in weight.
- Case is shock proof at both high and low temperatures, equipped with heavy-duty metal latches and hinges.
- Two-component handles are easy to grip and comfortable to carry.

AUTHORIZED DISTRIBUTOR

Snap-on INDUSTRIAL BRANDS



Offer Valid While Supplies Last Through
January 1, 2016 to April 30, 2016

